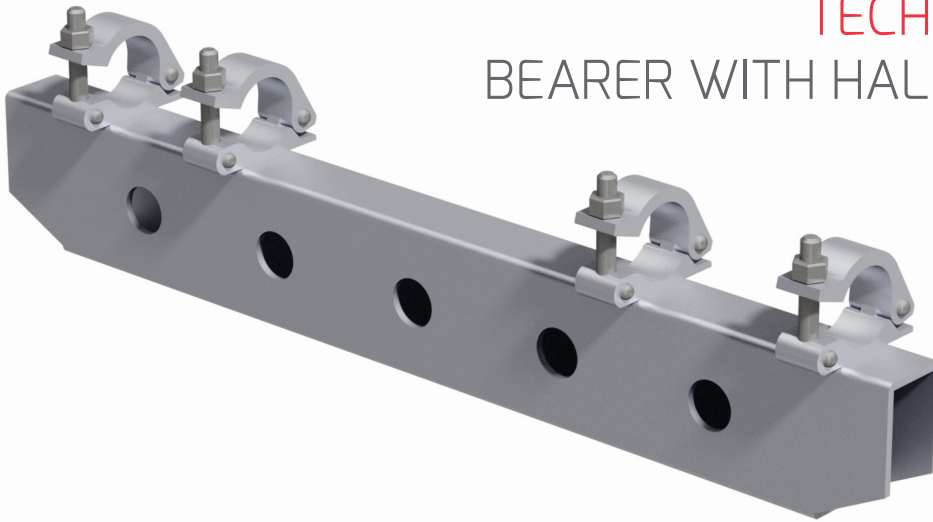


# TECHNICAL INFORMATION

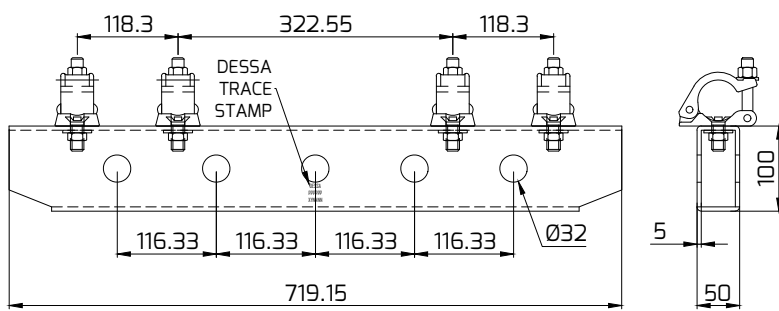
## BEARER WITH HALF COUPLERS UA0011

TIS17046-

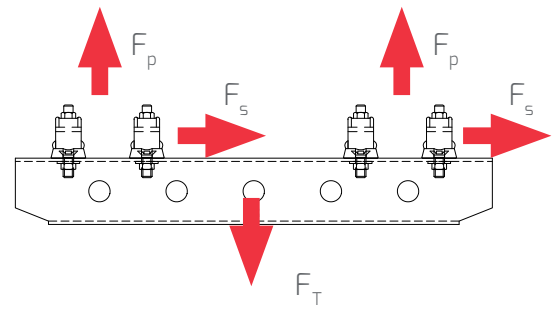


ARTICLE	DESCRIPTION	WEIGHT (kg)	MATERIAL	SURFACE FINISH
UA0011	BEARER WITH HALF-COUPERS	10.2	EN 10027:5355J2	GALVANIZED

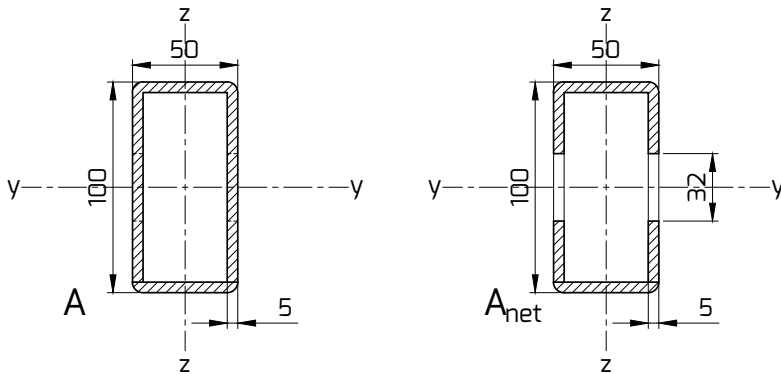
### PRODUCT DIMENSIONS



### LOADING DIAGRAM



### SECTION PROPERTIES



**A**

Area: 13.78cm<sup>2</sup>  
 Cy: 2.5cm  
 Cz: 5cm  
 Iyy: 168.53cm<sup>4</sup>  
 Izz: 54.94cm<sup>4</sup>

**A<sub>net</sub>**

Area: 10.58cm<sup>2</sup>  
 Cy: 2.5cm  
 Cz: 5cm  
 Iyy: 165.80cm<sup>4</sup>  
 Izz: 38.67cm<sup>4</sup>

### PERMISSIBLE CAPACITIES

$V_{RD}$	114.16kN
$M_{RD}$	5.59kNm
$F_P$	36.36kN
$F_S$	15.1kN
$F_T$	69.2kN

### USED WITH

UA0000, UA0018, UA0028  
 CASTOR TOP PLATES,  
 TA0001 BEAM SUPPORT ASSEMBLY

The information provided is based on prevailing legislation and/or testing. DESSA Ltd reserves the right to make technical changes, users should ensure that only current revisions of this Technical Information Sheet are used. The published data refers to original genuine DESSA materials only. © DESSA Limited. No unauthorised use, copy or disclosure is to be made.