

TECHNICAL INFORMATION

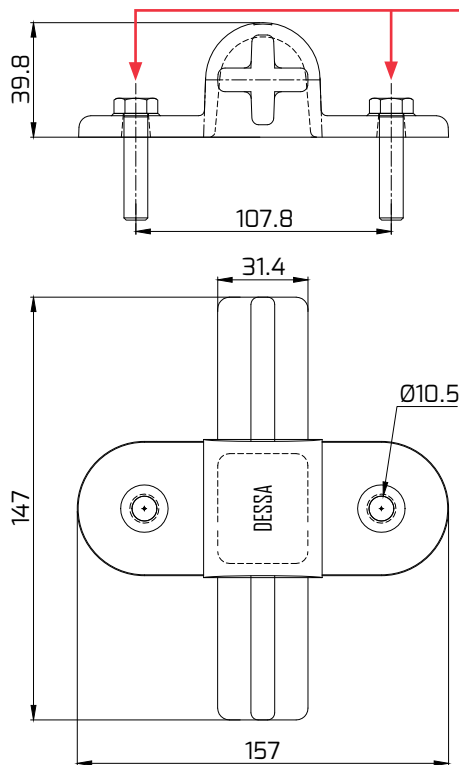
TRAX TUBE HOLDER AT0001

TIS17029-



| ARTICLE | DESCRIPTION | WEIGHT (kg) | MATERIAL GRADE | SURFACE FINISH |
|---------|-------------|-------------|---------------------|--------------------|
| AT0001 | TUBE HOLDER | 1.3 | EN 10027:5355 STEEL | HOT DIP GALVANIZED |

PRODUCT DIMENSIONS



CAN BE FITTED TO
SCAFFOLD BOARDS
USING TIMBER SCREWS
OR BOLTED THROUGH
STEEL DECKS.

USED WITH

SCAFFOLD TUBE TO FORM RUNWAY LENGTHS FOR MOBILE ROOFS

The information provided is based on prevailing legislation and/or testing. DESSA Ltd reserves the right to make technical changes, users should ensure that only current revisions of this Technical Information Sheet are used. The published data refers to original genuine DESSA materials only. © DESSA Limited. No unauthorised use, copy or disclosure is to be made.