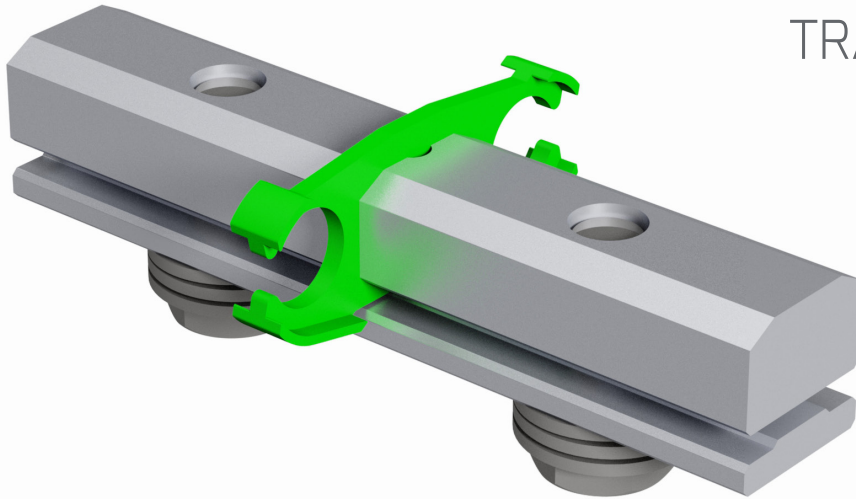


TECHNICAL INFORMATION

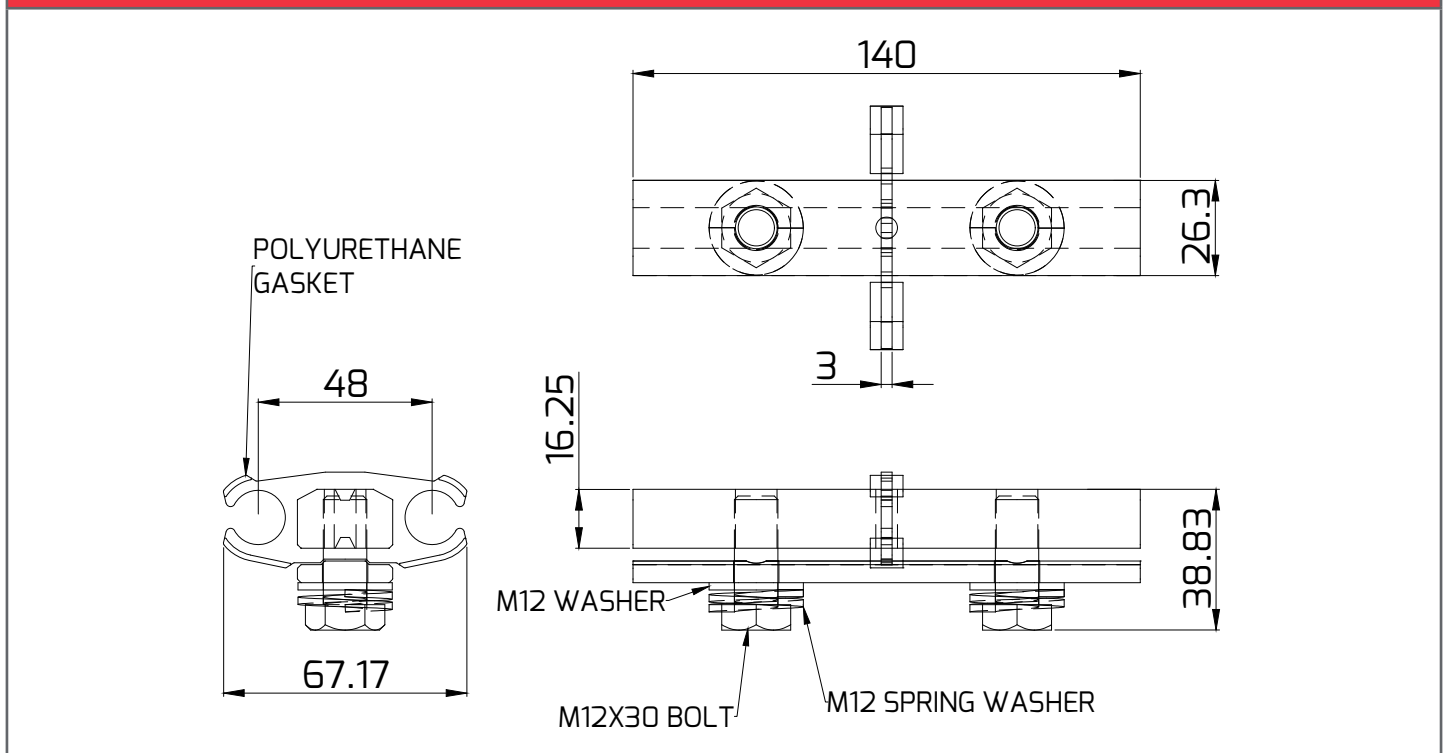
TRACK SPIGOT UA0021

TIS17025-



ARTICLE	DESCRIPTION	WEIGHT (kg)	MATERIALS
UA0021	ALLOY TRACK SPIGOT	0.6	EN AW 6063-T6 - SPIGOT PU/90 SHORE - GASKET

PRODUCT DIMENSIONS



USED WITH

ALL SHEET TRACK TO SHEET TRACK CONNECTIONS

The information provided is based on prevailing legislation and/or testing. DESSA Ltd reserves the right to make technical changes, users should ensure that only current revisions of this Technical Information Sheet are used. The published data refers to original genuine DESSA materials only. © DESSA Limited. No unauthorised use, copy or disclosure is to be made.