

TECHNICAL INFORMATION

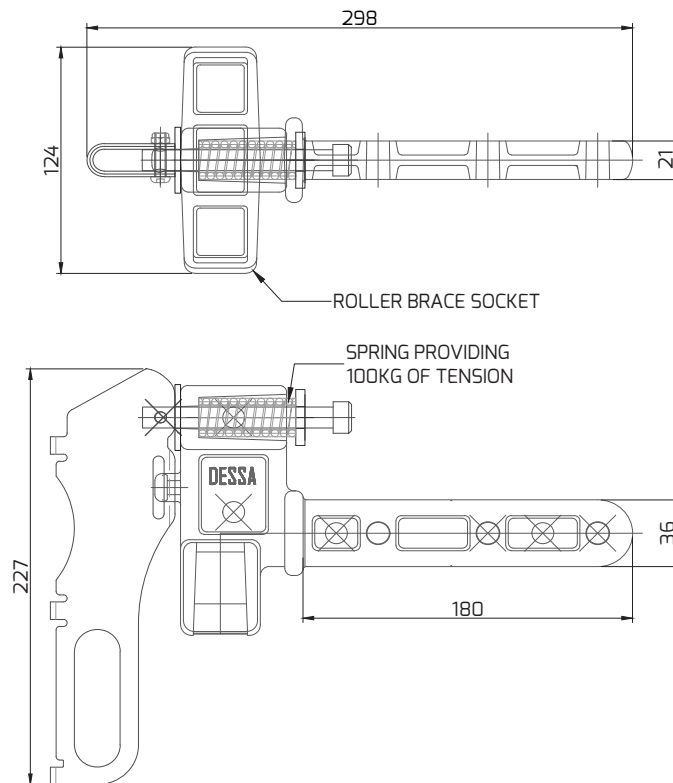
TRACK COMPRESSOR

TIS17009-



ARTICLE	DESCRIPTION	WEIGHT (kg)	MATERIAL GRADE	SPRING CAPACITY
UA0005	TRACK COMPRESSOR	1.55	S235 steel LM25 cast Alloy	100Kg

PRODUCT DIMENSIONS



The information provided is based on prevailing legislation and/or testing. DESSA Ltd reserves the right to make technical changes, users should ensure that only current revisions of this Technical Information Sheet are used. The published data refers to original genuine DESSA materials only. © DESSA Limited. No unauthorised use, copy or disclosure is to be made.