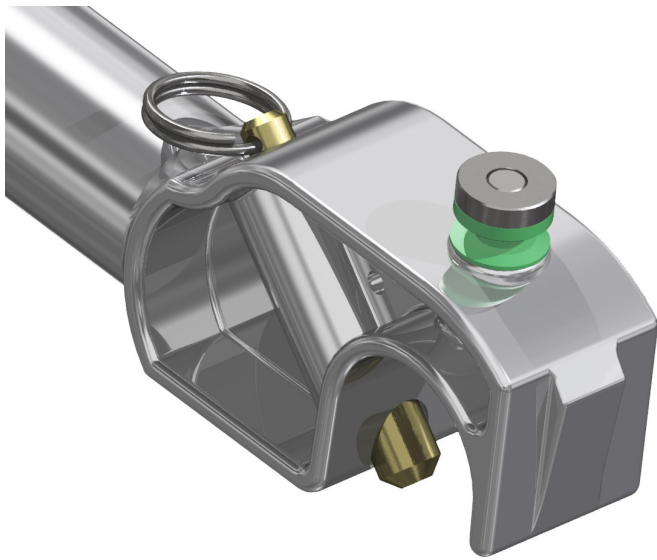


# TECHNICAL INFORMATION

## DESSA BRACE CLAW

### TIS17002A



ARTICLE	DESCRIPTION	WEIGHT (kg)	MATERIAL GRADE
Z00181	DESSA BRACE CLAW	0.55	LM25 TE

PRODUCT DIMENSIONS	FORCES APPLIED

FORCE SYMBOL	DESCRIPTION	PERMISSIBLE LOAD
$F_p$	PULL-OFF	12 kN (Alloy tube)*
$F_n$	NORMAL FORCE	11.6 kN
$F_s$	SLIP RESISTANCE	0
$F_b$	LATERAL BEARING RESISTANCE	12kN
$M_x$	ROTATIONAL RESISTANCE (X)	0.56 kNm
$M_y$	ROTATIONAL RESISTANCE (Y)	0

\*Track pull-off decisive - 6.53 kN.

The information provided is based on prevailing legislation and/or testing. DESSA Ltd reserves the right to make technical changes, users should ensure that only current revisions of this Technical Information Sheet are used. The published data refers to original genuine DESSA materials only. © DESSA Limited. No unauthorised use, copy or disclosure is to be made.