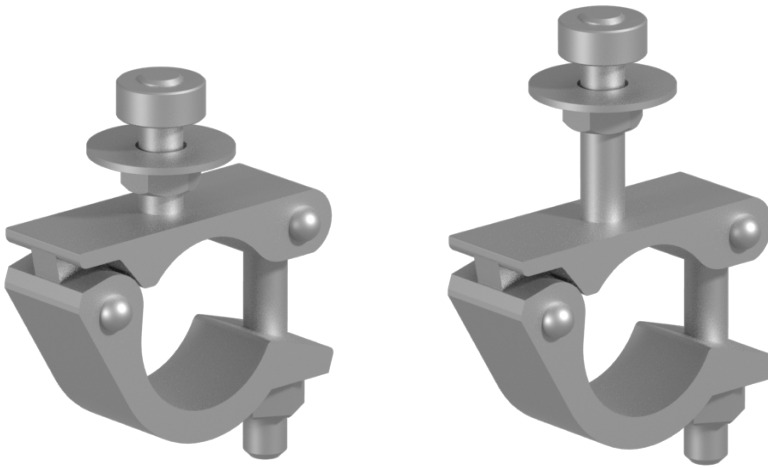


PRODUCT GUIDANCE

TRACKING COUPLERS

PDG18003-



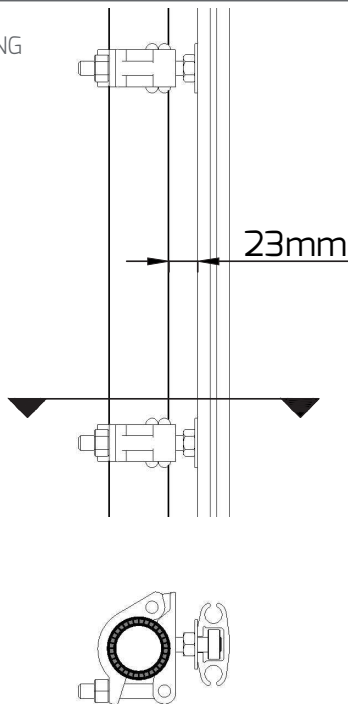
DESCRIPTION

Tracking couplers allow connection of DESSA tracking to the scaffold verticals to enable side wall sheeting and weather protection. The shorter version (UA0002) is suitable for use with tube and fitting scaffold. The longer variety (UA0020) provides more offset so that the sheet track does not collide with system scaffold rosettes.

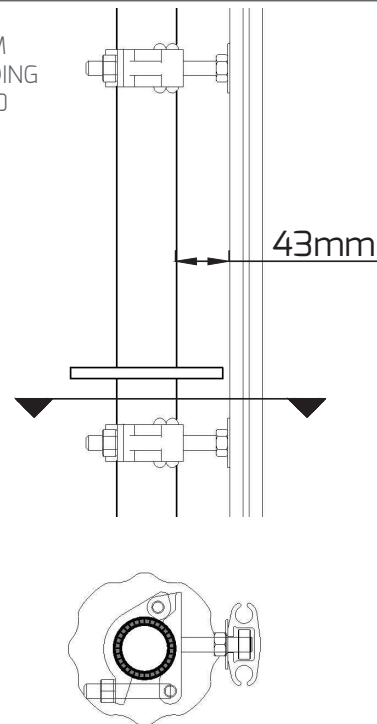
ARTICLE	DESCRIPTION	WEIGHT (kg)
UA0002	TRACKING COUPLER SHORT	0.85
UA0020	TRACKING COUPLER LONG (FOR SYSTEM SCAFFOLD)	0.86

APPLICATIONS

TUBE AND FITTING
UA0002



SYSTEM
SCAFFOLDING
UA0020



USED WITH

DESSA UT AND US SHEET TRACKING

The information provided is based on prevailing legislation and/or testing. DESSA Ltd reserves the right to make technical changes, users should ensure that only current revisions of this Product Guidance Sheet are used. The published data refers to original genuine DESSA materials only. © DESSA Limited. No unauthorised use, copy or disclosure is to be made.