




PRODUCT GUIDANCE

TWO PART TRACKING CONNECTOR

PDG18001-

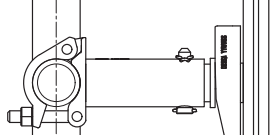
DESCRIPTION

New from DESSA the 2 part tracking coupler suitable for modular scaffolding and/or tube and fittings. The new 2 part coupler allows connection of DESSA tracking to the scaffold verticals to enable side wall sheeting and weather protection. Simply installed on modular scaffolding with 2 blows of a hammer. The optional coupler body allows connection to ledgers or tube and fitting scaffolds and also facilitates installation of the stop end accessory at any location.

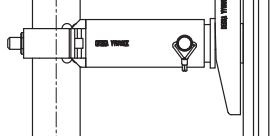
ARTICLE	DESCRIPTION		WEIGHT (kg)	ARTICLE	DESCRIPTION		WEIGHT (kg)
UA0031	TRACKING CONNECTOR		0.50	UA0033	COUPLER HEAD CONNECTOR		1.00
UA0032	WEDGE HEAD CONNECTOR		0.90	UA0034	TRACKING STOP		0.34

APPLICATIONS

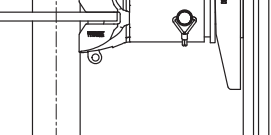
TO HORIZONTAL



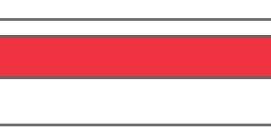
TO VERTICAL



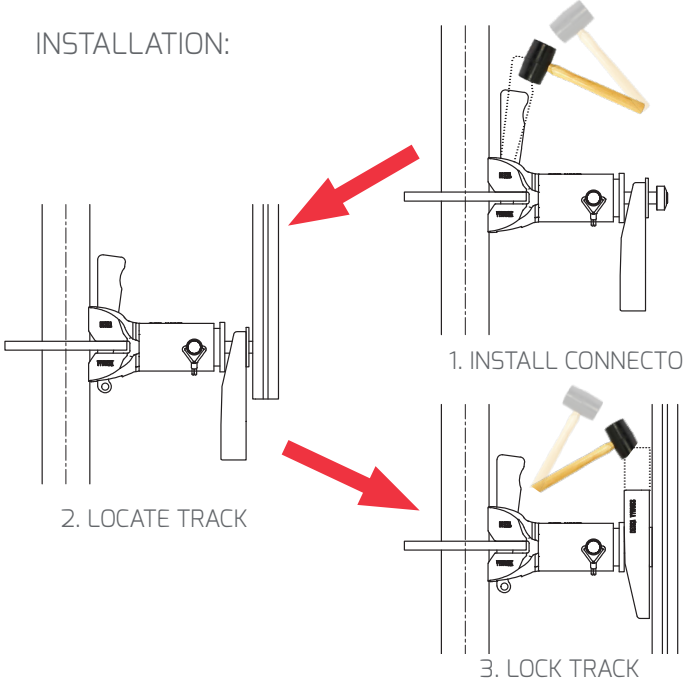
TO SYSTEM ROSETTE



FOR TERMINATION



INSTALLATION:



1. INSTALL CONNECTOR
2. LOCATE TRACK
3. LOCK TRACK

USED WITH

DESSA UT AND US SHEET TRACKING

The information provided is based on prevailing legislation and/or testing. DESSA Ltd reserves the right to make technical changes, users should ensure that only current revisions of this Product Guidance Sheet are used. The published data refers to original genuine DESSA materials only. © DESSA Limited. No unauthorised use, copy or disclosure is to be made.