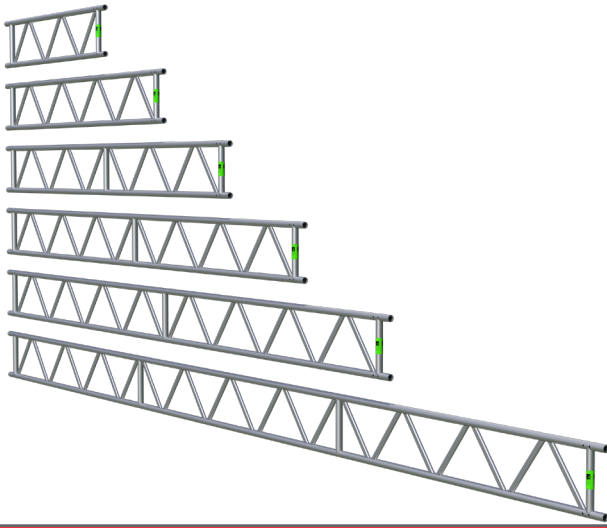


# PRODUCT GUIDANCE

## L45 ALUMINIUM BEAMS

### PDG16019-




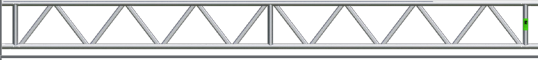






#### DESCRIPTION

The DESSA unit beam series offer compatibility for use with traditional scaffold structures and temporary roofs. They combine high strength with a low weight and cost. These beams are available in 450mm depth and in lengths of 2, 3, 4, 5, 6 and 8m. The top and bottom chords of the beams are manufactured in traditional scaffold tube size, allowing easy connection of traditional scaffold couplers. Vertical posts are provided at each end of the beam and at intermediate locations. These unit beams offer an economical solution for the creation of beam spans, crash decks and medium sized temporary roof structures.

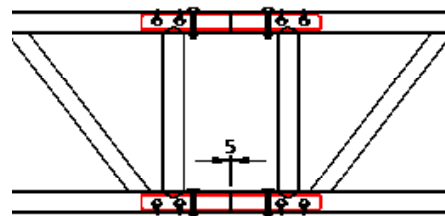
#### TECHNICAL INFORMATION

<b>MAXIMUM BENDING MOMENT</b>	21.98kNm	<b>MAXIMUM SHEAR FORCE</b>	11.69kN
-------------------------------	----------	----------------------------	---------

ARTICLE	DESCRIPTION	WEIGHT	IMAGE
BH2000	L45 Aluminium Beam 2.0m	8.00kg	
BH3000	L45 Aluminium Beam 3.0m	11.75kg	
BH4000	L45 Aluminium Beam 4.0m	15.62kg	
BH5000	L45 Aluminium Beam 5.0m	19.61kg	
BH6000	L45 Aluminium Beam 6.0m	23.11kg	
BH8000	L45 Aluminium Beam 8.0m	30.98kg	
B50012	Beam Spigot GHS (399mm)	1.19kg	
AF0001	M12x60 Quick Release Pin	0.07kg	

#### CONNECTION GUIDE

Using 2no. B50010 Spigot  
& 12no. AF0001 Pins



The information provided is based on prevailing legislation and/or testing. DESSA Ltd reserves the right to make technical changes, users should ensure that only current revisions of this Product Guidance are used. The published data refers to original genuine DESSA materials only. © DESSA Limited. No unauthorised use, copy or disclosure is to be made.