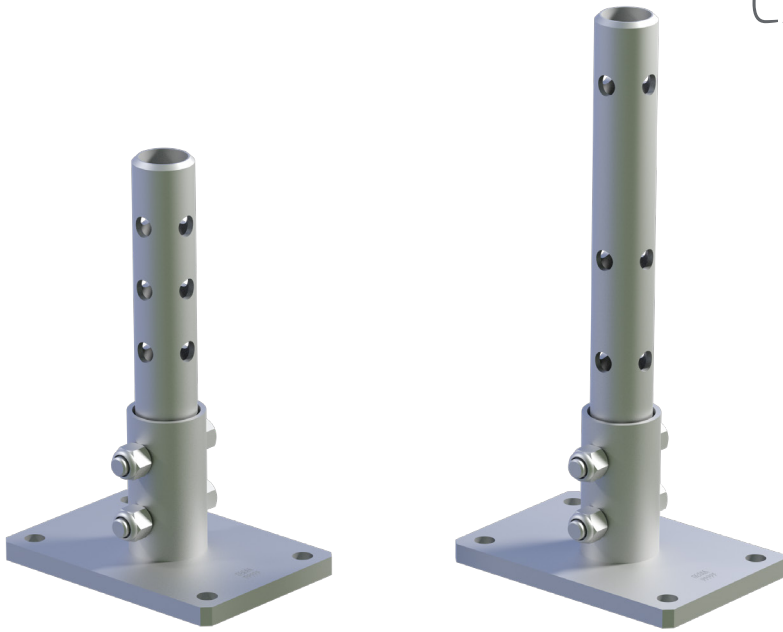


PRODUCT GUIDANCE

CASTOR BEAM TOP PLATES

PDG16014-



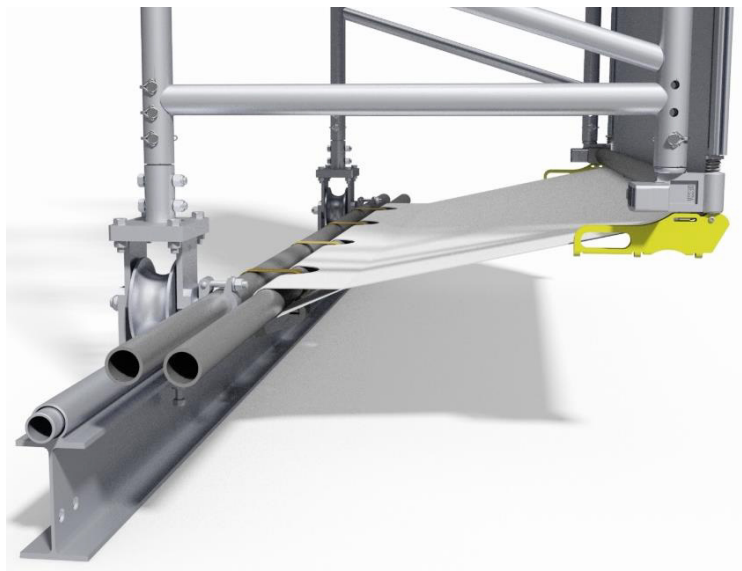
DESCRIPTION

DESSA's top plate attachment range allows for ease of connection and functionality when utilising DESSA beams as sidewalls for shelter configurations. Connecting directly to the all steel anti uplift castor AA0002, the new Castor Top Plate Attachment allows any structure to be made mobile on DESSA Trax beam or innovative DESSA Trax tube holder (see PDG16011). Drop forged half couplers mounted on the side of the anti-uplift castor allow a continuous steel scaffold tube to be secured, providing an ideal tensioning point for sheets using ratchet straps.

| PRODUCT CODE: | DESCRIPTION: | PRODUCT WEIGHT: | ANTI-UPLIFT CAPACITY |
|---------------|-------------------------|-----------------|----------------------|
| AA0004 | BA Top Plate Attachment | 3.3kg | 27.5kN |
| AA0006 | HB Top Plate Attachment | 2.1kg | 27.5kN |

INSTALLATION

- Holes drilled at 90 degrees on spigot allow for beam connection at different angles.
- Can be fitted to existing DESSA AA0002 anti-uplift castor.
- Allows for neat sheet termination.
- Replaceable spigot.



The information provided is based on prevailing legislation and/or testing. DESSA Ltd reserves the right to make technical changes, users should ensure that only current revisions of this Product Guidance are used. The published data refers to original genuine DESSA materials only. © DESSA Limited. No unauthorised use, copy or disclosure is to be made.