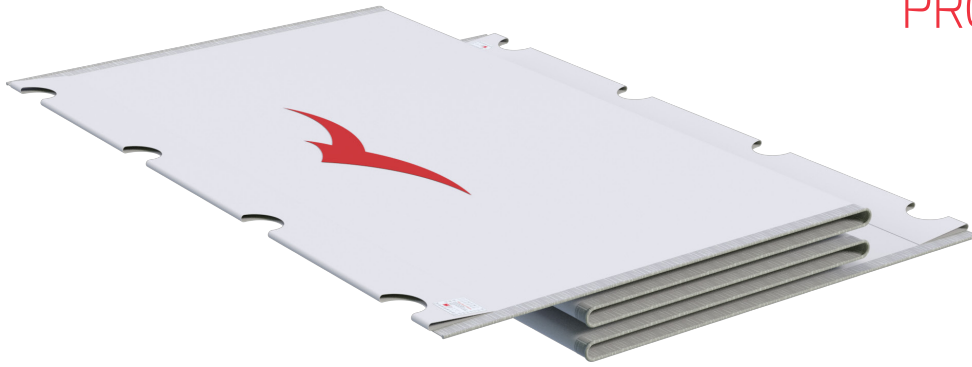



PRODUCT GUIDANCE

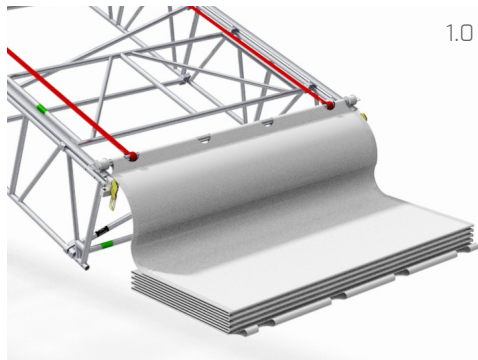
PLAS™ SHEETING

PDG16004A

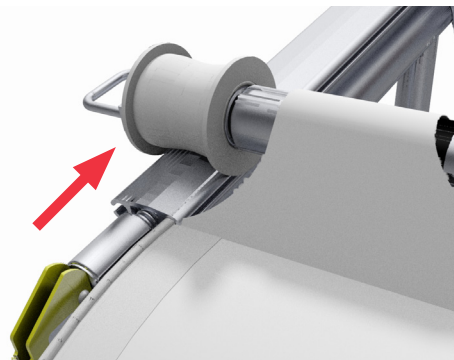


GENERAL NOTES	TECHNICAL INFORMATION
<p>DESSA Plas™ keder sheeting is a temporary roof covering providing superb weather protection and allowing high levels of light to pass through. Plas™ is simple to install due to its low friction keder bands. It is heavy duty and flame retardant, capable of with standing varying weather and climates for long durations projects (over 12 months).</p> <ul style="list-style-type: none"> · Easy and fast installation. · Durable. · Proven track record working with DESSA products. · Flame retardant. · Good light transmission. · Efficient labelling for ease of identification. 	<p>Material: PES Polyester, 2 side PVC gloss lacquer, UV stabilised, Anti Mildew</p> <p>Roll Widths: 2.00,2.07,2.50,2.57,3.00,3.07m</p> <p>Roll Lengths: 15,20,25,30,35,40,45m</p> <p>Colour: White</p> <p>Weight: 610gsm</p> <p>Tensile Strength: 2000N/50mm</p> <p>Tear Resistance: 250N</p> <p>Fire Testing: FR BS 7837 TEST 5438/B2 FR- DIN 4102, B1 - PASS BS EN 13501-1 - B, S3, D0 BS476 Part 12 ignition sources C&G - PASS TS62 - B57955 Annex C.3.1.3 Flammable liquid test (LF) - PASS</p> <p>Gable Sheets: Yes</p>

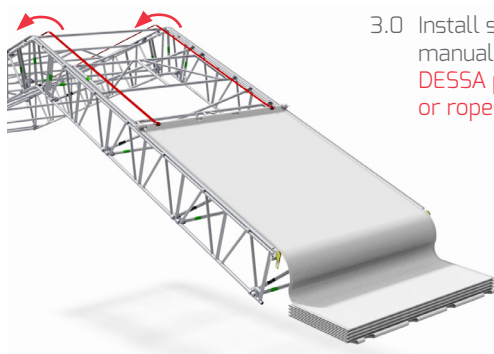
INSTALLATION



1.0 Fix 2no. DESSA pulling straps or ropes to sheet tensioning bar at outer two pocket locations. Offer sheet to roof bay.

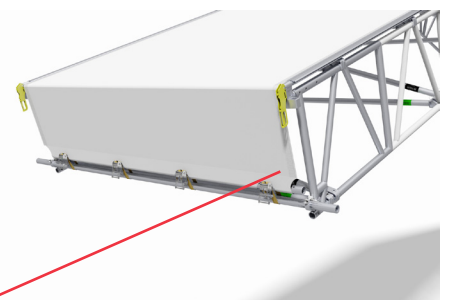


2.0 Ensure sheet pulling wheel and keder engage with the sheet track. Manually feed sheet through track for first 300mm.



3.0 Install sheet by manually pulling the DESSA pulling straps or ropes evenly.

4.0 Remove sheet pulling wheels and terminate the sheet using 4 ratchet straps.



Identification label, stamped accordingly to reflect physical properties and date of manufacture.

The information provided is based on prevailing legislation and/or testing. DESSA Ltd reserves the right to make technical changes, users should ensure that only current revisions of this Product Guidance are used. The published data refers to original genuine DESSA materials only. © DESSA Limited. No unauthorised use, copy or disclosure is to be made.