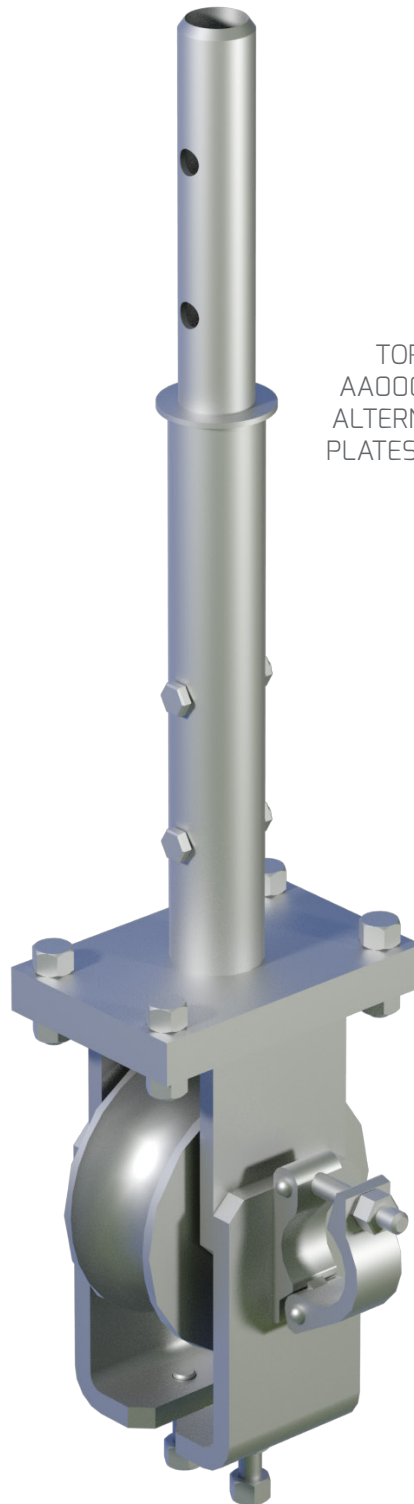
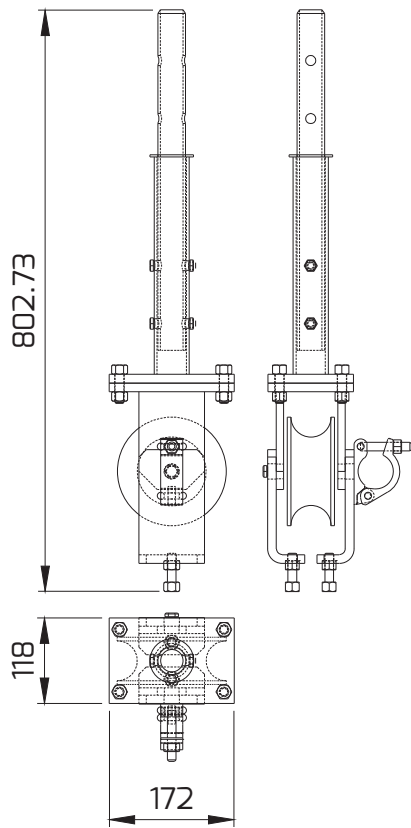


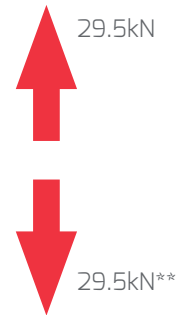
PRODUCT GUIDANCE

UPLIFT RESTRAINT CASTOR

PDG12002-



TOP PLATE
AA0003 SHOWN
ALTERNATIVE TOP
PLATES AVAILABLE



ARTICLE	DESCRIPTION	WEIGHT (kg)
AA0001	TRAX Anti-uplift Castor assembly c/w tube stem	1.1

The information provided is based on prevailing legislation and/or testing. DESSA Ltd reserves the right to make technical changes, users should ensure that only current revisions of this Product Guidance are used. The published data refers to original genuine DESSA materials only. © DESSA Limited. No unauthorised use, copy or disclosure is to be made.