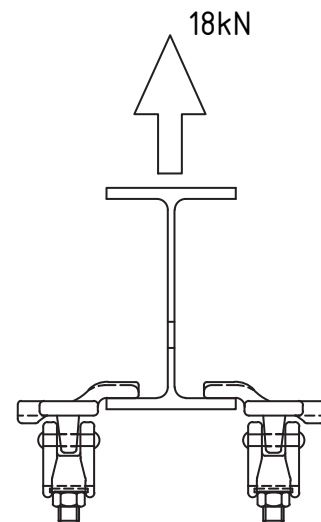
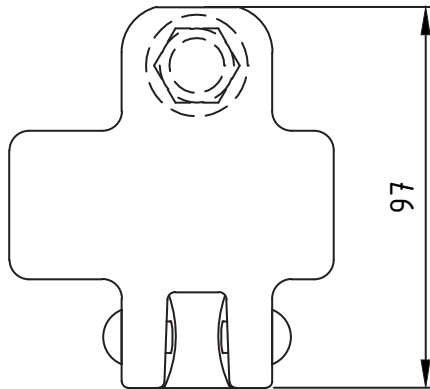
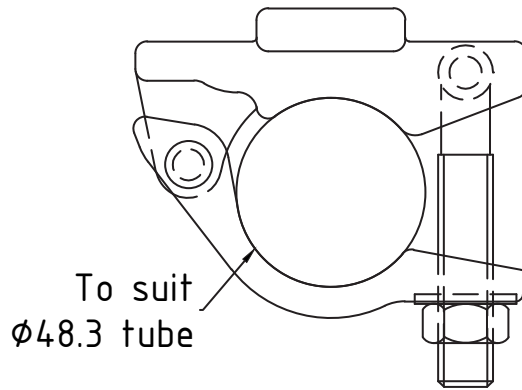
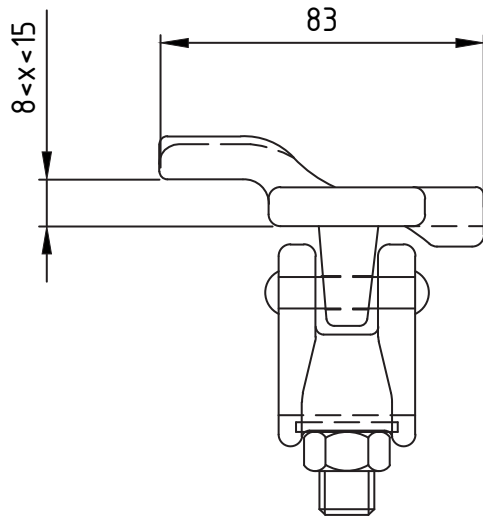


PRODUCT GUIDANCE

BOLTLESS GIRDER CLAMP

PDG12001-



ONLY TO BE USED IN PAIRS

ARTICLE	DESCRIPTION	WEIGHT (kg)
AC0001	Boltless girder clamp	1.1

The information provided is based on prevailing legislation and/or testing. DESSA Ltd reserves the right to make technical changes, users should ensure that only current revisions of this Product Guidance are used. The published data refers to original genuine DESSA materials only. © DESSA Limited. No unauthorised use, copy or disclosure is to be made.