

ONEUP™ PLATFORM

USER GUIDE



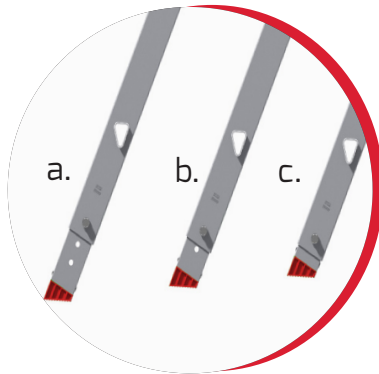
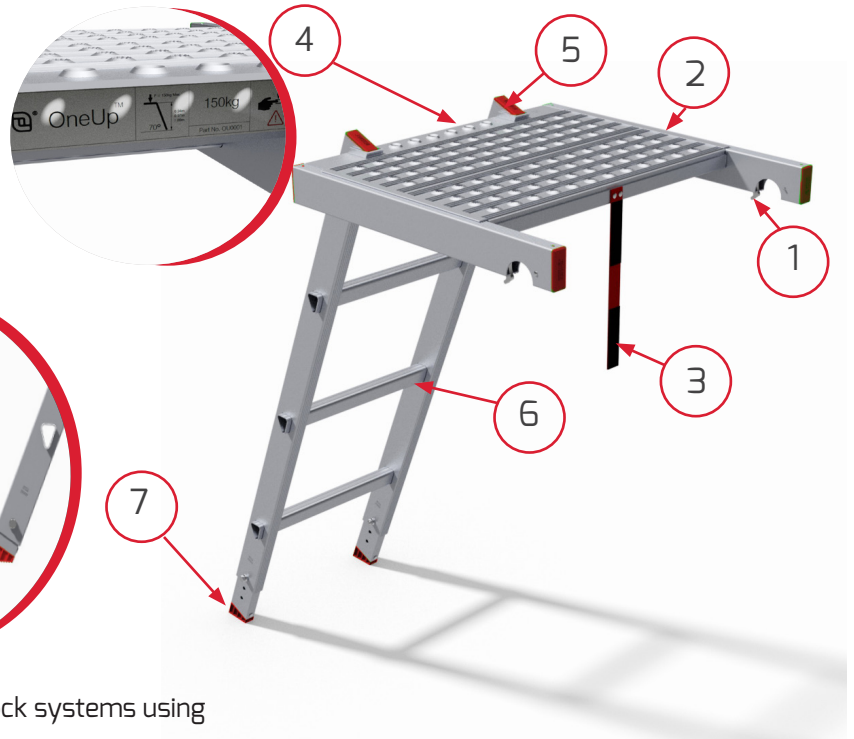


● OneUp™ Overview

The OneUp™ Safety Platform is designed to allow scaffolding erectors to position and fix guardrails to the level above the working level. The next level ledger acts as a temporary guardrail for this operation. Fall protection PPE is strongly advised during the use of this product.

● Component Identification

- 1) Sprung retaining hook
- 2) Platform
- 3) Velcro strap (used for storage)
- 4) Information label (underside)
- 5) Hinge (note: finger trap hazard)
- 6) Ladder rungs
- 7) Adjustable footplate



- a. Tube and fittings
- b. Futuro, Metrix, Contur, Allround & lock systems using O transoms
- c. Futuro & Allround using U transoms

● Safety

- The OneUp™ Safety Platform is a personal scaffolders assembly aid and not designed to eliminate the risk of falls.
- Designed for use by one person only.
- Ensure all users are fully trained in the use of the product.
- Personal fall protection must always be used in conjunction with this product.
- Ascend and descend the ladder using the rungs only. **DO NOT JUMP ON OR OFF THE PLATFORM.**
- Do not overreach or exceed the Permissible Load of 150kg.
- Handle with care, and avoid placing fingers near the hinges.

● Inspection

Prior to use, check for damage and wear. Report any defects to the issuer. **NEVER** use damaged equipment.

Do not repair damaged parts. For further information on replacement parts, please contact DESSA Limited.

Technical Data

Platform Dimensions: 390mm x 570mm
 Permissible Load: 150kg
 Maximum guardrail height: 1.02m
 Minimum guardrail height: 0.96m
 OneUp™ Safety Platform weight: 6.2kg

● Installation

The following preparation steps need to be made to the existing scaffold prior to use of the OneUp™ Safety Platform:

- 1) Check all components carefully for damage and correct operation of the sprung retaining hooks and adjustable footplate.
- 2) Fully board and install guardrails to the working level.
- 3) Install ledgers to the level above the working lift.

The following steps need to be taken to install the OneUp™ Safety Platform:



- 1) Open the product by disengaging the Velcro strap (3) from the ladder rung, taking care not to trap your fingers in the hinges.
- 2) Orientate the platform side bars into position.
- 3) Offer the OneUp™ Safety Platform to the top guardrail.
- 4) Connect the platform to the top guardrail of the working lift. Ensure that the retaining hooks fully lock around the guardrail.



- 5) Inspect the position of the ladder feet. If these are not sitting on a flat surface, adjustments need to be made to either the footplate position or guardrail height. Both the platform and the footplate should be horizontal.
- 6) Connect personal fall protection equipment and ascend the ladder by using the platform side bars. The subsequent lift ledger will form a temporary guardrail.



- 7) Install guardrails to the level above the working lift. These can be handballed to the user, or placed in the gap between the OneUp™ Safety Platform and the working lift guardrail, prior to user ascension.
- 8) To move / uninstall the OneUp™ Safety Platform, manually retract the retaining hooks simultaneously and disengage from the guardrail. Fold up the platform using the side bars and secure using the Velcro strap.



DESSA
SCAFFOLD
PRODUCTS
TECHNICAL
SERVICES

DESSA LIMITED
Unit 25 Little End Road, Eaton Socon, St. Neots, Cambridgeshire, PE19 8JH - United Kingdom
Tel +44 (0)1480 475297 - Fax +44(0)1480 215378 - Email: info@altrad-dessa.com
www.altrad-dessa.com