

TECHNICAL INFORMATION

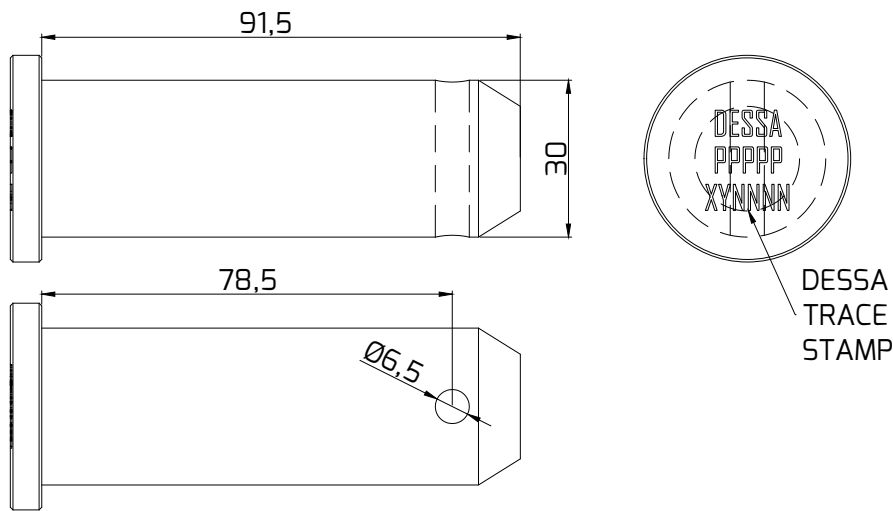
QUICK RELEASE PIN AF0004

TIS17038-



ARTICLE	DESCRIPTION	WEIGHT (kg)	MATERIAL GRADE	SURFACE FINISH
AF0004	QUICK RELEASE PIN	0.55	G 10.9	ZINC PLATED

PRODUCT DIMENSIONS



SECTION	SECTION PROPERTIES	MAX SINGLE SHEAR CAPACITY
	<p>A</p> <p>Area: 7.07cm²</p> <p>I_{yy}, I_{zz}: 3.97cm⁴</p>	<p>257.04 kN</p>

USED WITH

GENERAL CASTOR AND TENSION BAR CONNECTIONS

The information provided is based on prevailing legislation and/or testing. DESSA Ltd reserves the right to make technical changes, users should ensure that only current revisions of this Technical Information Sheet are used. The published data refers to original genuine DESSA materials only. © DESSA Limited. No unauthorised use, copy or disclosure is to be made.