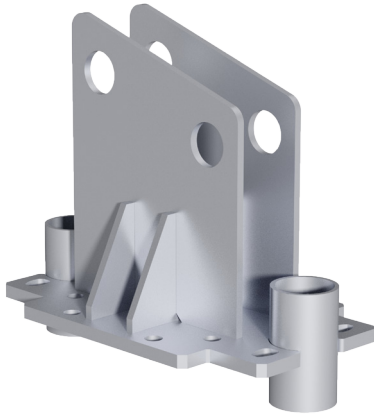


# PRODUCT GUIDANCE

## CASTOR TOP PLATE 18 DEGREES

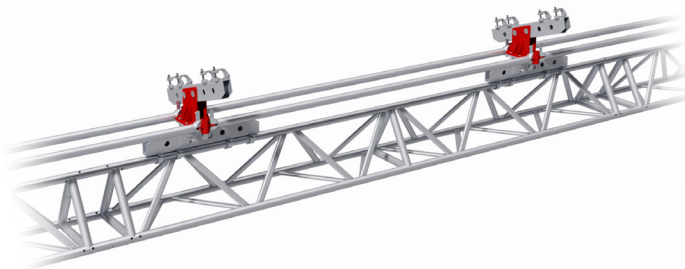
PDG17002-



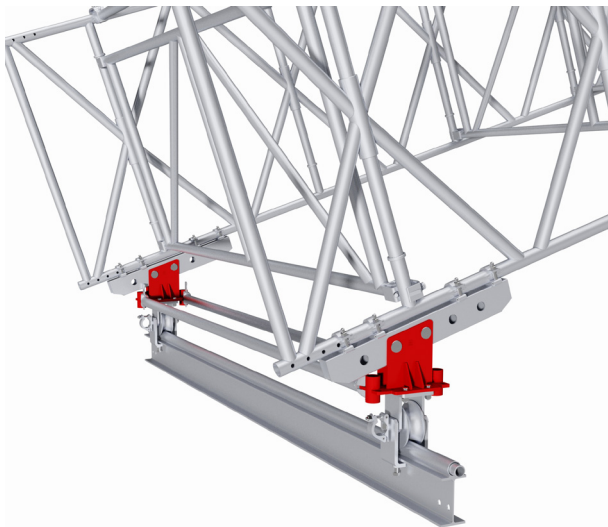
### DESCRIPTION AND KEY BENEFITS

The 18 degree castor top plate offers significant improvements in terms of operational capability and ease of installation. It's unique base plate offers a strong connection point for Plettac ledgers, creating an allround stable series of units and ensuring spacing is maintained between roof beam lines. This top plate can be used across a series of different applications.

### APPLICATIONS



1) Used in conjunction with 2no. 0.7m bearer (UA0011) and 0 degree castor top plate (UA0000) in order to plan and space an 18 degree duo-pitch roof off header beams / tri-beam arrangements. Used with Plettac ledgers to create an assembly of castors working in tandem in line with roof beam lines.



2) Used in conjunction with 0.7m bearer (UA0011) and anti-uplift castor (AA0002) to provide mobile support to an 18 degree duo-pitch roof. Used with Plettac ledgers to create an assembly of castors working in tandem in line with roof beam lines.

### TECHNICAL INFORMATION

Part Number: UA0028

Weight: 7.3kg

Dimensions (mm): 172l x 287w x 257h

Finish: Galvanised